

LT-330-8A RGB Controller



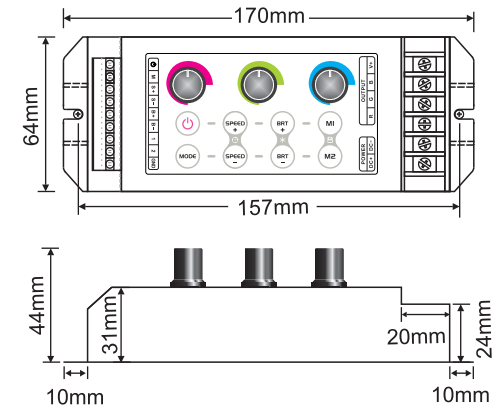
Model LT-330-8A is a powerful multi-functional RGB controller. It has 8 touch function keys and PC engineering plastic housing, build-in 25 changing modes, the brightness and speed are adjustable. With the three specially designed RGB knob potentiometer, color mixing becomes very simple and convenient. Besides, the 3 specially treated knobs could realize depth dimming, compared with other controllers, it is easier to mix bright vivid and true color that users want.

1. Product Parameter:

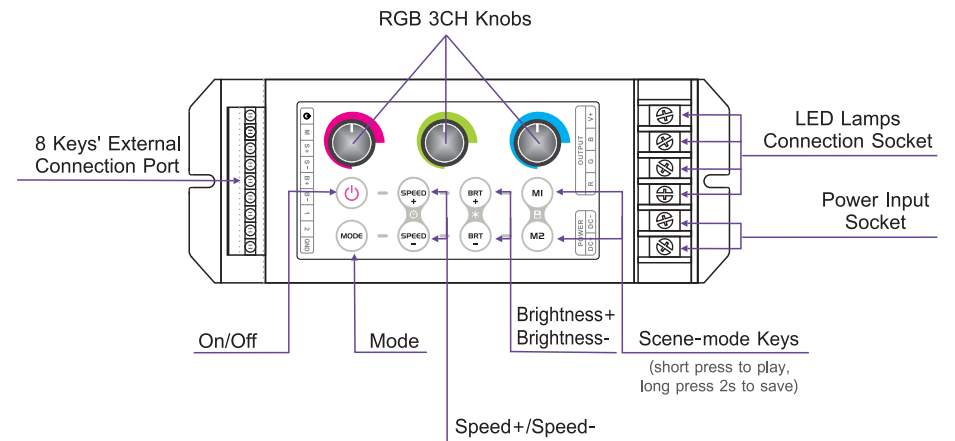
LT-330-8A

- Input Voltage: 5~24VDC
- Max Current Load: 8A × 3CH Max 24A
- Max Power Load: 120W/288W/576W (5V/12V/24V)
- Function Mode: 25 Modes
- Grey Scale Levels: 4096×4096×4096
- Working Temp.: -30°C ~55°C
- Dimensions: L170×W64×H44(mm)
- Package Size: L173×W67×H47(mm)
- Weight (G.W.): 220g

2. Product Size:



3. Detailed Key Functions:



3.1 Knob's Other Function:

In knob controlling mode, "BRT +/ -" is also available, to adjust the overall brightness.

3.2 Keys' Other Functions:

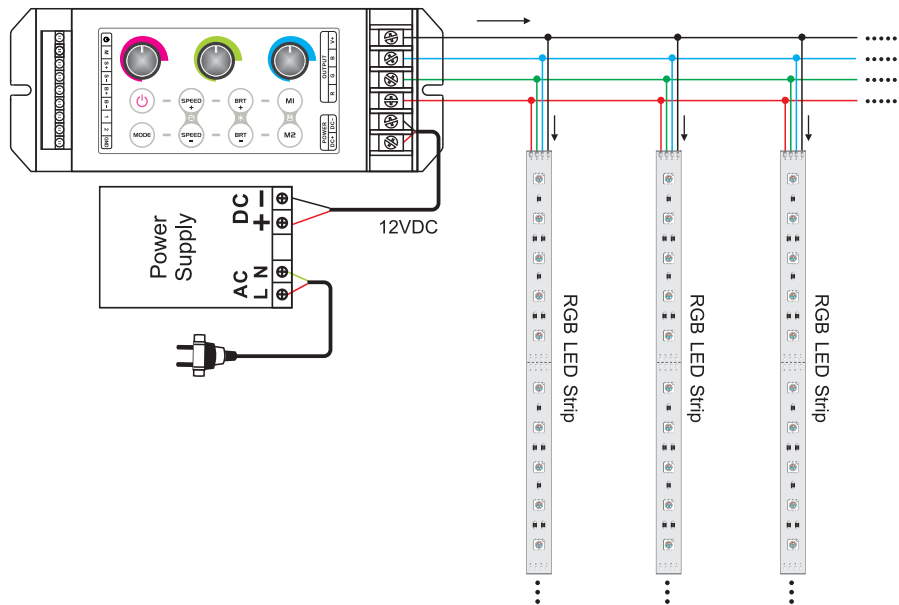
- Long press **On/Off**, the buzzer can be on or off.
- Long press **MODE** to auto loop play the 25 modes.
- Long press **SPEED+**, the speed of all modes will restore to default status;
Long press **SPEED-**, the speed of the current mode will restore to default status.

4. Function Mode:

No.	Mode	No.	Mode
1	RGB Jumping	14	Red/Blue Color Smooth
2	7 Color Jumping	15	Green/Blue Color Smooth
3	White Strobe	16	Red/Yellow Color Smooth
4	7 Color Strobe	17	Green/Cyan Color Smooth
5	Red Fade out and Fade in	18	Blue/Purple Color Smooth
6	Green Fade out and Fade in	19	Green/Yellow Color Smooth
7	Blue Fade out and Fade in	20	Blue/Cyan Color Smooth
8	Yellow Fade out and Fade in	21	Red/Purple Color Smooth
9	Purple Fade out and Fade in	22	Blue/White Color Smooth
10	Cyan Fade out and Fade in	23	Yellow/Purple/Cyan Color Smooth
11	White Fade out and Fade in	24	RGB Color Smooth
12	RGB Fade out and Fade in	25	7 Color Smooth
13	Red/Green Color Smooth		

Note: Speed and brightness are adjustable.

5. Wiring Diagram:



6. Attention:

- 6.1 The product shall be installed and serviced by the qualified person.
- 6.2 This product is non-waterproof. Please avoid the sun and rain. When installed outdoors please ensure it is mounted in a water proof enclosure.
- 6.3 Good heat dissipation will prolong the working life of the controller. Please ensure good ventilation.
- 6.4 Please check if the output voltage of the LED power supply used comply with the working voltage of the product.
- 6.5 Please ensure that adequate sized cable is used from the controller to the LED lights to carry the current. Please also ensure that the cable is secured tightly in the connector.
- 6.6 Ensure all wire connections and polarities are correct before applying power to avoid any damages to the lights.
- 6.7 If a fault occurs, please return the product to your supplier. Do not attempt to fix this product by yourself.

7. Warranty Agreement:

- 7.1 We provide lifelong technical assistance with this product:
 - A 5-year warranty is given from the date of purchase. The warranty is for free repair or replacement if cover manufacturing faults only.
 - For faults beyond the 5-year warranty, we reserve the right to charge for time and parts.
- 7.2 Warranty exclusions below:
 - Any man-made damages caused from improper operation, or connecting to excess voltage and overloading.
 - The product appears to have excessive physical damage.
 - Damage due to natural disasters and force majeure.
 - Warranty label, fragile label and unique barcode label have been damaged.
 - The product has been replaced by a brand new product.
- 7.3 Repair or replacement as provided under this warranty is the exclusive remedy to the customer. LTECH shall not be liable for any incidental or consequential damages for breach of any stipulation in this warranty.
- 7.4 Any amendment or adjustment to this warranty must be approved in writing by LTECH only.

★This manual only applies to this model. LTECH reserve the right to make changes without prior notice.